

EH64

DIMENSIONS

ACCESSORY

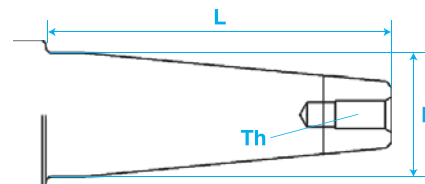


SPECIFICATIONS

Model name	EH64
Type	Air-cooled, OHV, V-twin, Horizontal shaft
Bore×Stroke	80 × 65 mm
Displacement	653 cm ³
Maximum output (Net)	14.6 kW @3600 r/min
Rated output (Net)	11.9 kW @3600 r/min
Maximum torque (Net)	44.3 N·m @2200 r/min
PTO Shaft Rotation	Counterclockwise (from PTO shaft side)
Fuel	Unleaded gasoline
Lubricant	API classification: SE or higher class SAE viscosity index: 10W-30
Oil Capacity	1.55 L (including oil filter)
Ignition System	Twin TCI
Spark Plug	NGK BPR5ES
Starter	Electric starter
Governor	Centrifugal flyweight type
Air cleaner	Dual element
Carburetion system	Single barrel down draft
Lubrication System	Full filtered pressure lube
Charging Capacity	12V - 15A
Dry Weight	49.5 kg
Dimension (L × W × H)	463 × 499 × 476 mm
Approved regulation*	EPA III, CARB III, EC II, LEMA III

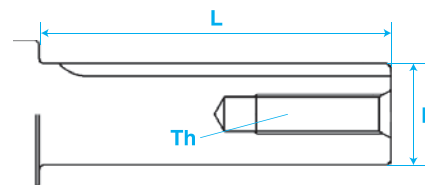
*Applicable in variation

PTO. Shaft variations



K shaft: 2.25/12 Taper

Type	L	D	Th
K	78.7mm	35.0mm	5/16-24UNF

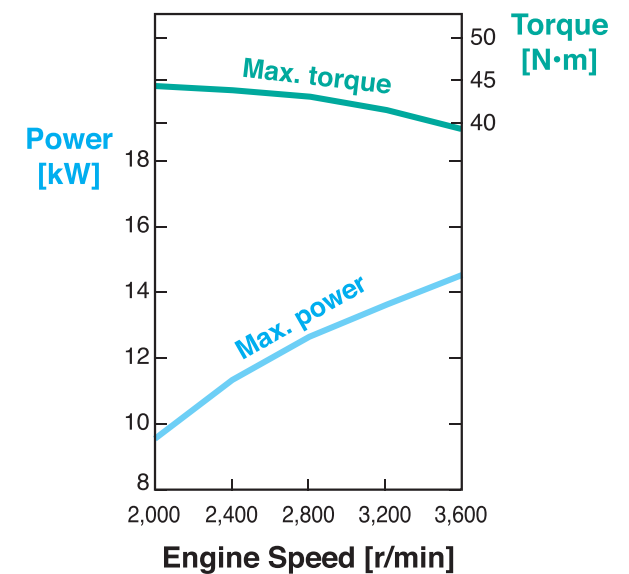


A shaft: Straight, SAE

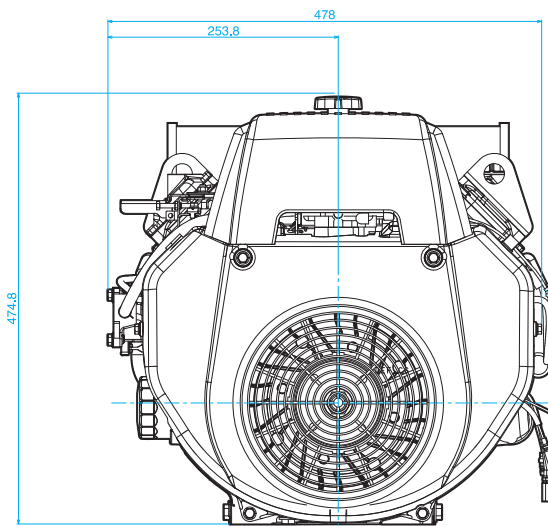
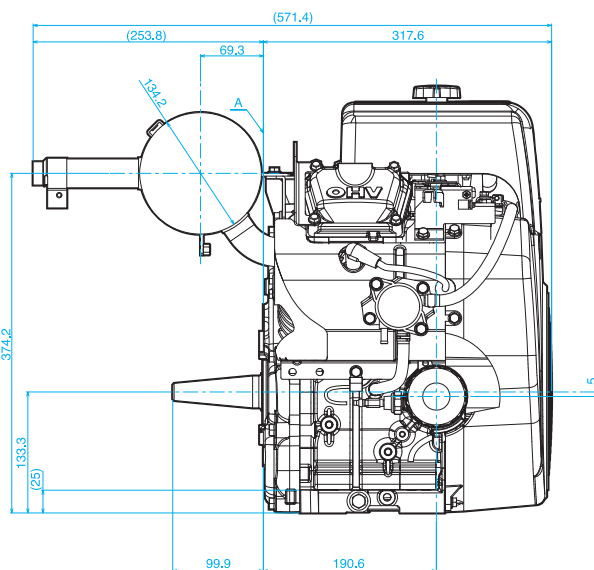
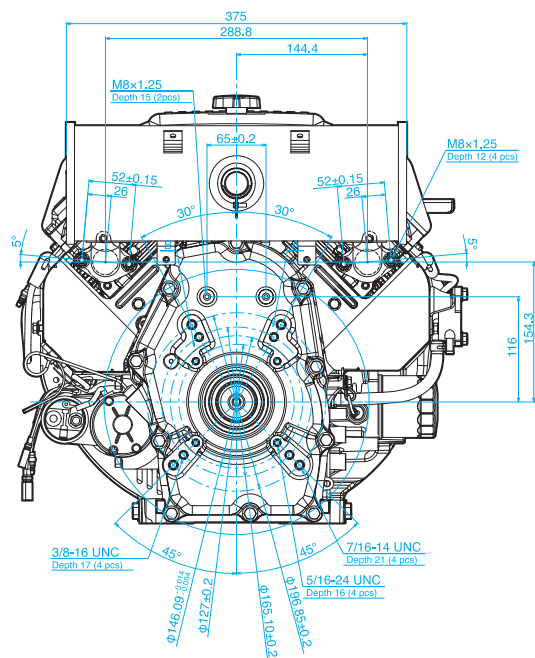
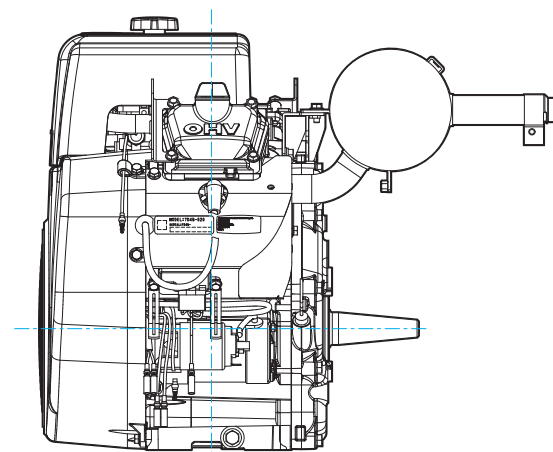
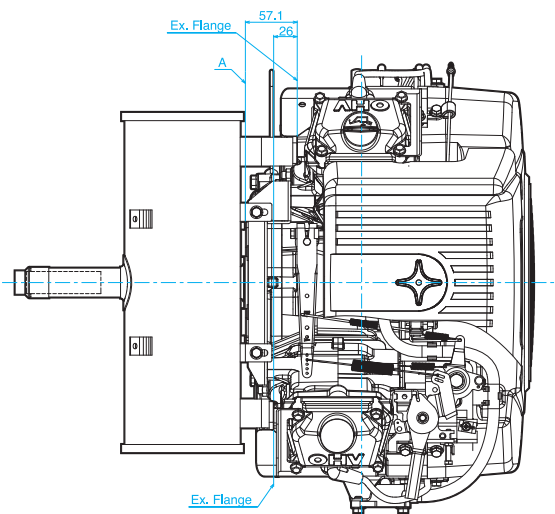
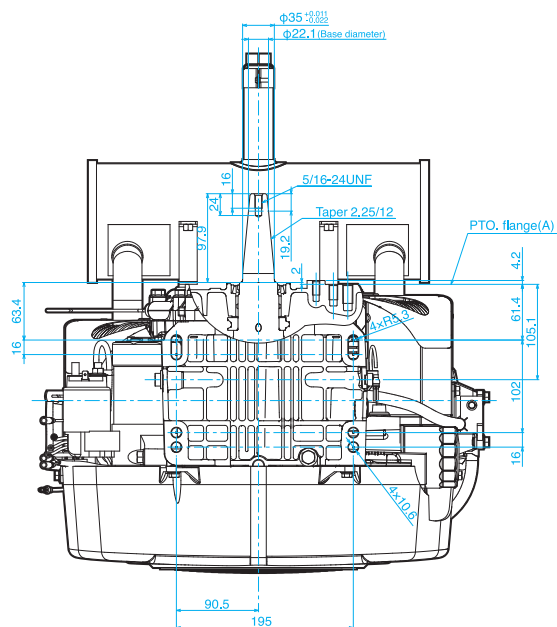
B shaft: Straight, metric

Type	L	D	Th
A	99.3mm	28.6mm	7/16-20UNF
B	80.0mm	35.0mm	M10×1.25

PERFORMANCE CURVE



EH64 DIMENSIONS



EH64 ACCESSORY

▼ Type 00



▼ Type 10



▼ Type 20



▼ Type 30



▼ Type 50



▼ Type 60



▼ Front P.T.O.



▼ Quick oil drain

